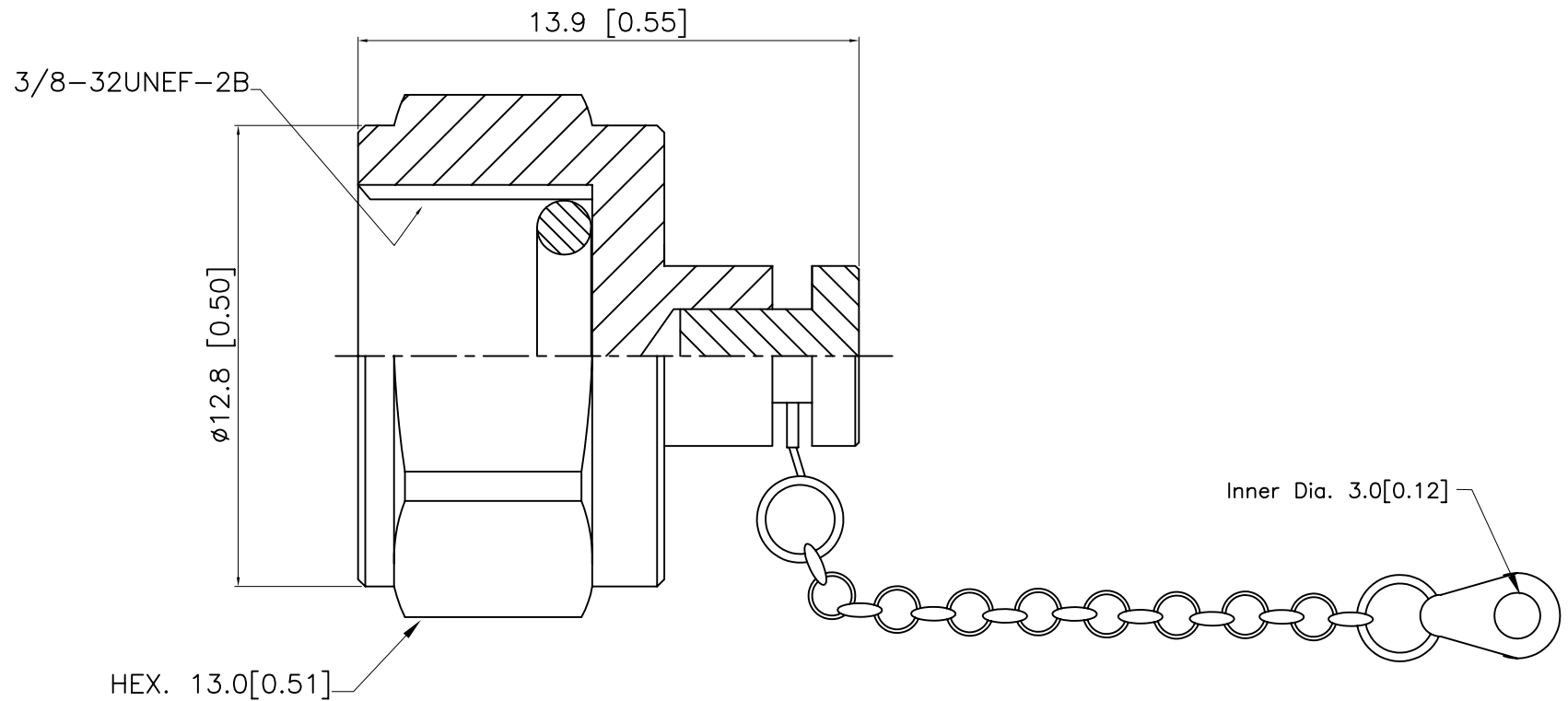


REVISION				
ISSUE	DESCRIPTION	ENGINEER	APPROVED	DATE
1.0	FIRST ISSUED	J. P. LEE	K. D. JANG	2007.10.24



SPECIFICATIONS

- Connector type : type F
- Chain length : 80mm[3.15"]
- Materials
 - * Body : Brass
 - * Other metal parts : Steel
 - * O-ring : Silicone Rubber
- Finish
 - * All metal parts : Nickel plated

Specified Tolerance				Mat'l				 www.rfacsolutions.com	
.0	±0.1			Finish				Model	TYPE F
.00	±0.05			Design	Check	Appro			
ANG.	±0°30'						Title	TYPE F MALE DUST CAP	
Scale	Unit	Proj	Size				Mod.No.		
N/A	mm		A4	J. P. LEE	I. K. HAN	K. D. JANG	Part No.	R390-1000	