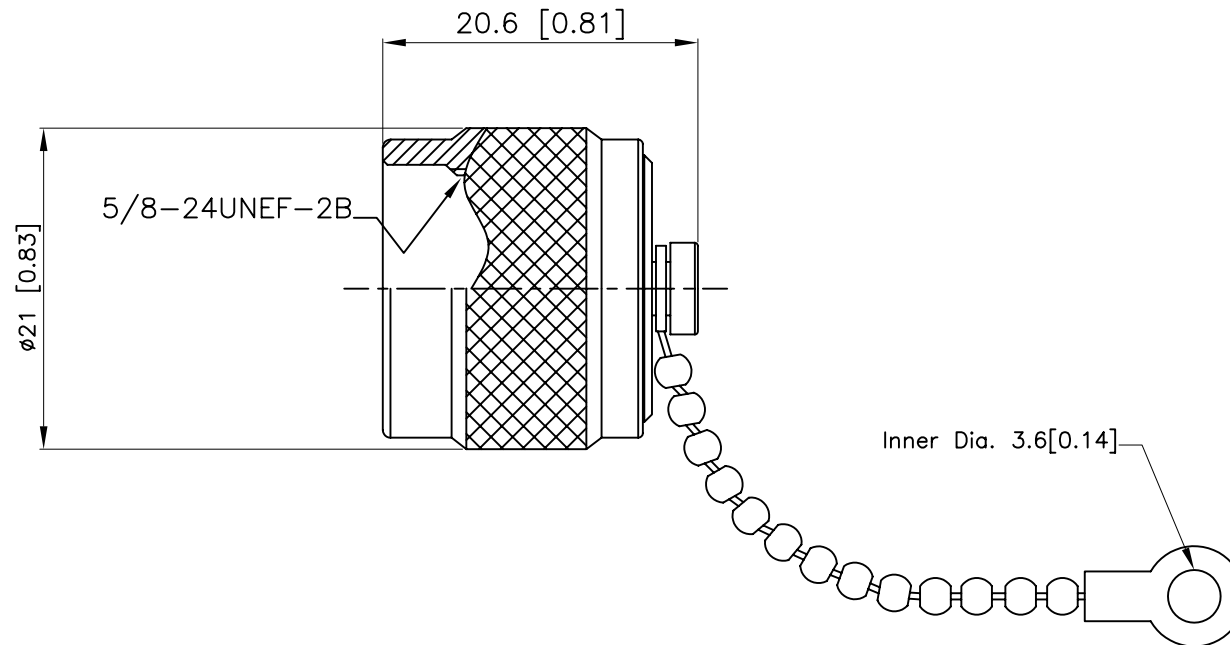


REVISION				
ISSUE	DESCRIPTION	ENGINEER	APPROVED	DATE
1.0	FIRST ISSUED	J. P. LEE	K. D. JANG	2007.10.24



SPECIFICATIONS

- Connector type : Type N
- Chain length : 100mm[3.94"]
- Materials
 - * Body & Coupling nut: Brass
 - * Other metal parts : Steel
 - * O-ring : Silicone
- Finish
 - * All metal parts : Nickel plated

Specified Tolerance				Mat'l		 www.rfacsolutions.com	
.0		±0.1		Finish			
.00		±0.05		Design		Check	Appro
ANG.		±0°30'				Model Type N	
						Title Type N MALE DUST CAP	
Scale	Unit	Proj	Size			Mod.No.	
N/A	mm		A4	J. P. LEE	I. K. HAN	K. D. JANG	Part No. R380-050