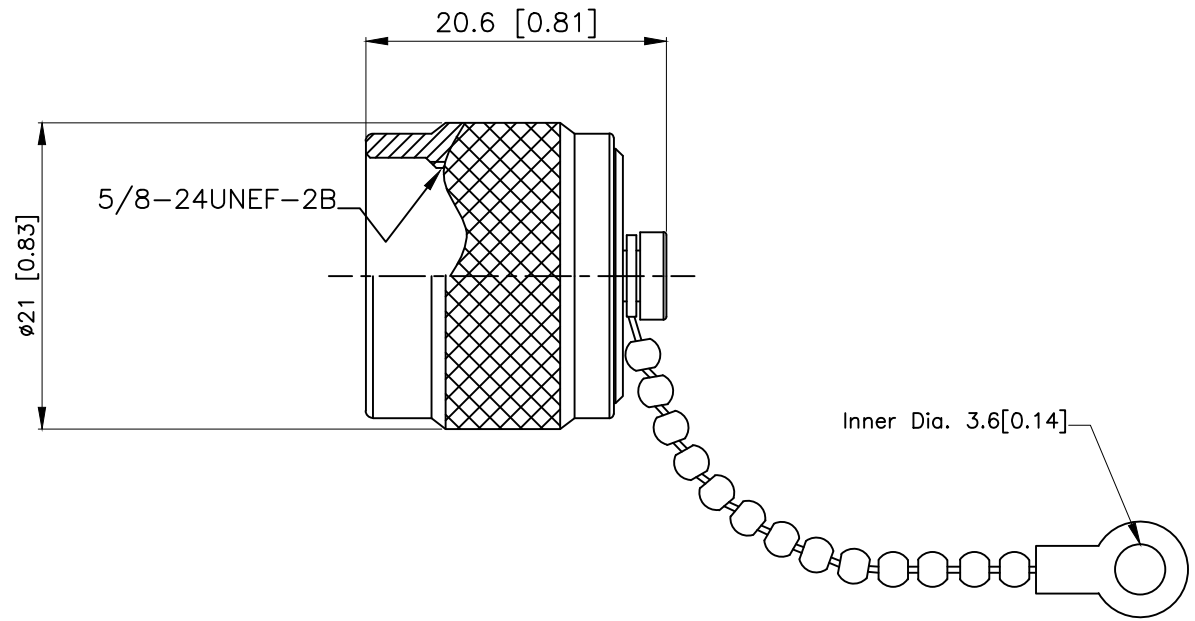

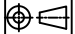


REVISION				
ISSUE	DESCRIPTION	ENGINEER	APPROVED	DATE
1.0	FIRST ISSUED	J. P. LEE	K. D. JANG	2007.10.24



SPECIFICATIONS

- Connector type : Type N
- Chain length : 100mm[3.94"]
- Materials
 - * Body & Coupling nut: Brass
 - * Other metal parts : Steel
 - * O-ring : Silicone
- Finish
 - * All metal parts : Black plated

Specified Tolerance				Mat'l				 www.rfacsolutions.com	
.0	±0.1		Finish						
.00	±0.05		Design	Check	Appro	Model		Type N	
ANG.	±0°30'					Title		Type N MALE DUST CAP	
Scale	Unit	Proj	Size				Mod.No.		
N/A	mm		A4	J. P. LEE	I. K. HAN	K. D. JANG	Part No. S380-050-001		