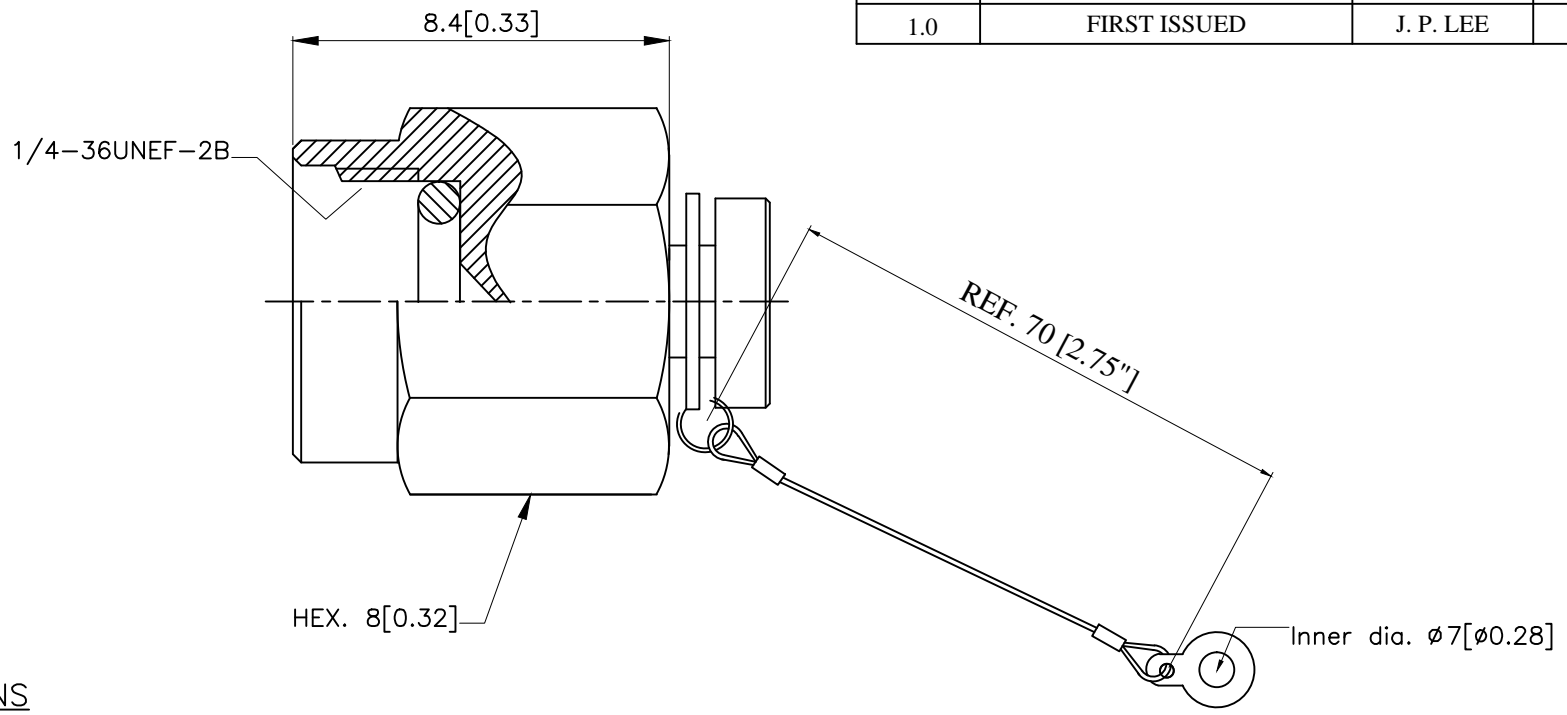



REVISION				
ISSUE	DESCRIPTION	ENGINEER	APPROVED	DATE
1.0	FIRST ISSUED	J. P. LEE	K. D. JANG	2007.10.24



SPECIFICATIONS

- Materials
 - * Body : Brass per QQ-B-626
 - * O-ring : EPDM per NAS 1613
- Wire rope
 - * Materials : Stainless steel coated with Nylon
 - * Structure : 49 stranded wire rope
 - * Overall Diameter : 1mm
- Finish
 - * All metal parts without wire rope : Black finish

** BLACK FINISH
 - After copper plating all materials, immerse the products in acid fluid in a few minute.

Specified Tolerance				Mat'l		 www.rfacsolutions.com	
.0 ±0.1				Finish			
.00 ±0.05				Design		Check	Appro
ANG. ±0°30'						Model SMA	
Scale Unit Proj Size						Title SMA MALE DUST CAP	
N/A mm ⊕ ≡ A4				J. P. LEE I. K. HAN K. D. JANG		Mod.No.	
						Part No. R330-086-001L	