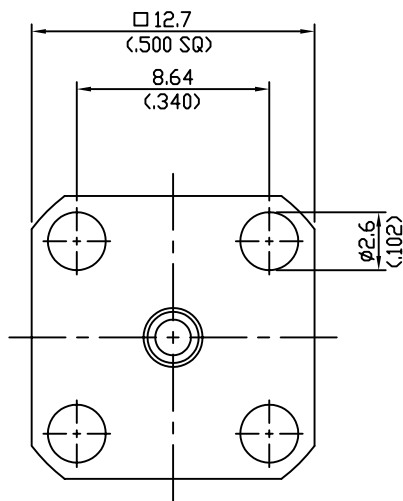
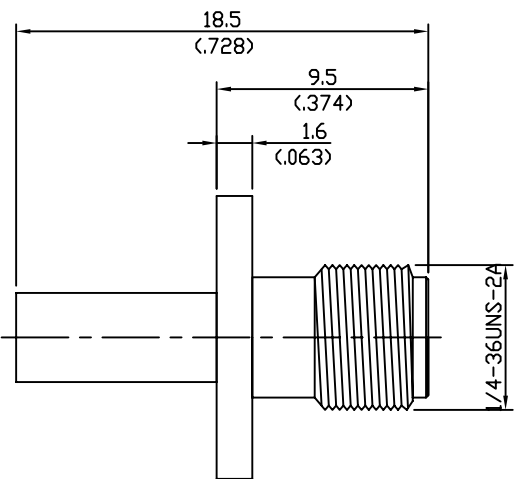


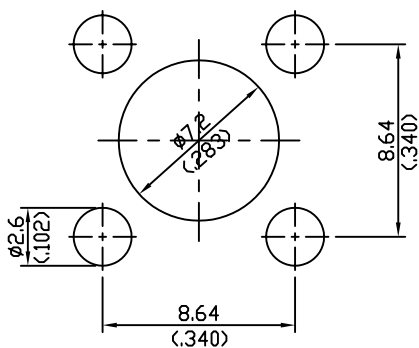
REVISIONS			
NO	DESCRIPTION	APPROVED	DATE



Impedance.....50Ω
Frequency range.....DC ~ 18GHz
V.S.W.R.....N/A
Dielectric withstanding
- Voltage(at sea level).....1000Vrms.50Hz
- Working voltage(at sea level).....≤325Vrms.50Hz
Insulation resistance.....≥5.10³ MΩ
Center contact resistance.....≤3MΩ
Out contact resistance.....≥2MΩ
Temperature range.....-65°C ~ +165°C
Temperature shock.....MIL-STD202,Method107,ConditionB
Moisture resistance.....MIL-STD202,Method106
Corrosion.....Saltspray Test acc.to MIL-STD-202,
Method101,ConditionB
Vibration.....MIL-STD202,Method204,ConditionD
Shock.....MIL-STD202,Method203,ConditionI
Contact captivation.....≥27N/6.1lbs.
Durability(Matings).....≥500

Connector parts	Material	Plating
Bodys	Brass	Gold
Cente contact	Beryllium-copper	Gold
Insulator	PTFE	White
Ferrule	Brass	Gold

Mounting hole



TOL.UNLESS NOTED
X = ±0.1
X.X = ±0.05
X.XX = ±0.01

DATE		 www.rfacsolutions.com
DRAWN BY		
DESIGNED BY		TITLE SMA PANEL JACK RG-174. 188. 316 Fig2
CHECKED BY		
APPD.BY		DRAWING NO R330-040-000
SCALE 1 : 1	UNIT mm	