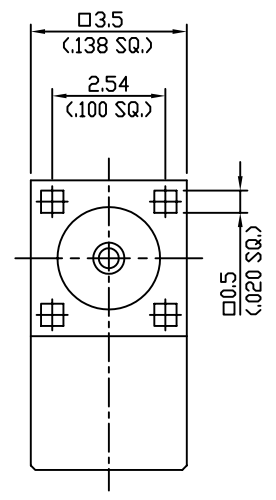
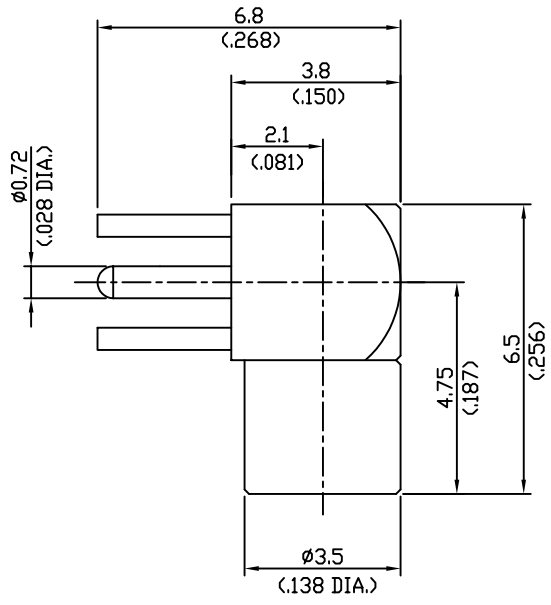
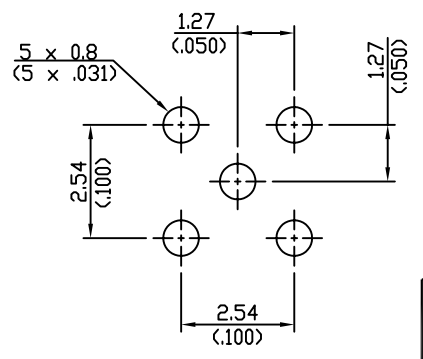


| REVISIONS |             |          |      |
|-----------|-------------|----------|------|
| NO        | DESCRIPTION | APPROVED | DATE |
|           |             |          |      |




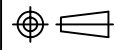
Impedance.....50Ω  
 Frequency range.....DC ~ 6GHz  
 V.S.W.R.....N/A  
 Dielectric withstanding  
 - Voltage(at sea level).....500Vrms.50Hz  
 - Working voltage(at sea level).....≤170Vrms.50Hz  
 Insulation resistance.....≥10<sup>3</sup> MΩ  
 Center contact resistance.....≤5.0MΩ  
 Out contact resistance.....≥2.5MΩ  
 Temperature range.....-55°C ~ +155°C  
 Temperature shock.....MIL-STD202,Method107,ConditionF  
 Moisture resistance.....MIL-STD202,Method106  
 Corrosion.....Saltspray Test acc.to MIL-STD-202,  
 Method101,ConditionB  
 Vibration.....MIL-STD202,Method204,ConditionC  
 Engagementforce.....≤15N/3.4lbs.  
 Diengagementforce.....6N-15N/1.4lbs.-3.4lbs.  
 Contact captivation.....≥10N/2.3lbs.  
 Durability(Matings).....≥500

Mounting hole



TOL.UNLESS NOTED  
 X = ±0.1  
 X.X = ±0.05  
 X.XX = ±0.01

| Connector parts | Material         | Plating |
|-----------------|------------------|---------|
| Body            | Brass            | Gold    |
| Center contact  | Beryllium-copper | Gold    |
| Insulator       | PTFE             | White   |

|             |         |   |                       |
|-------------|---------|---|-----------------------|
| DATE        |         |  <b>RFAC Solutions</b> | www.rfacsolutions.com |
| DRAWN BY    |         |   |                       |
| DESIGNED BY |         | TITLE<br>MMCX RIGHT ANGLE<br>PCB JACK   |                       |
| CHECKED BY  |         | DRAWING NO<br>R310-024-000  |                       |
| APPD.BY     |         | SHEET 1 OF 1  |                       |
| SCALE 1 : 1 | UNIT mm |                        |                       |