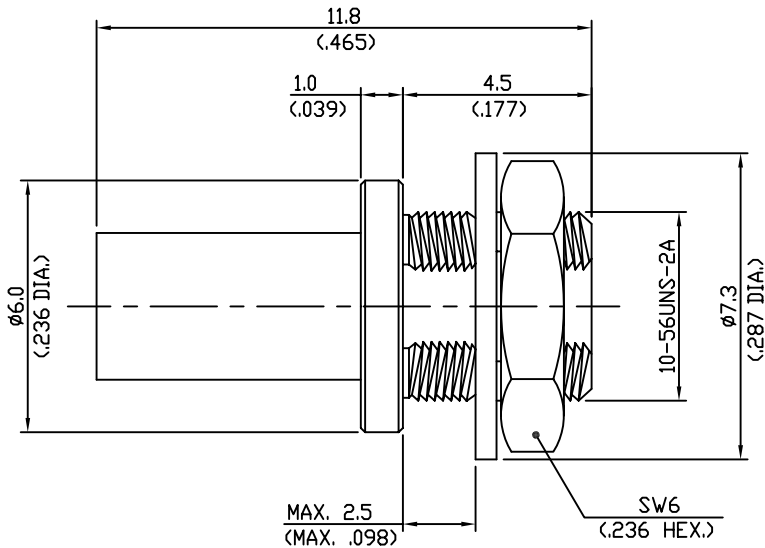
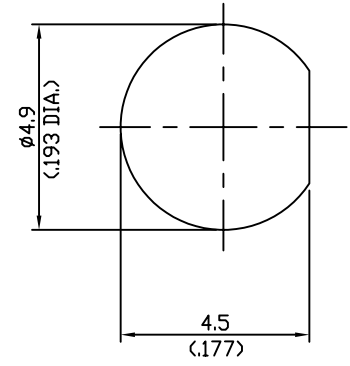


REVISIONS			
NO	DESCRIPTION	APPROVED	DATE



Mounting hole




Impedance.....50 $\Omega$   
 Frequency range.....DC ~ 6GHz  
 V.S.W.R.....N/A  
 Dielectric withstanding  
 - Voltage(at sea level).....500Vrms.50Hz  
 - Working voltage(at sea level)..... $\leq 170$ Vrms.50Hz  
 Insulation resistance..... $\geq 10^3$  M $\Omega$   
 Center contact resistance..... $\leq 5.0$ M $\Omega$   
 Out contact resistance..... $\geq 2.5$ M $\Omega$   
 Temperature range.....-55 $^{\circ}$ C ~ +155 $^{\circ}$ C  
 Temperature shock.....MIL-STD202,Method107,ConditionF  
 Moisture resistance.....MIL-STD202,Method106  
 Corrosion.....Saltspray Test acc.to MIL-STD-202, Method101,ConditionB  
 Vibration.....MIL-STD202,Method204,ConditionC  
 Engagementforce..... $\leq 15$ N/3.4lbs.  
 Diengagementforce.....6N-15N/1.4lbs.-3.4lbs.  
 Contact captivation..... $\geq 10$ N/2.3lbs.  
 Durability(Matings)..... $\geq 500$

Connector parts	Material	Plating
Bodys	Brass	Gold
Center contact	Beryllium-copper	Gold
Insulator	PTFE	White

TOL.UNLESS NOTED  
 X =  $\pm 0.1$   
 X.X =  $\pm 0.05$   
 X.XX =  $\pm 0.01$

DATE	
DRAWN BY	
DESIGNED BY	
CHECKED BY	
APPD.BY	
SCALE 1 : 1	UNIT mm

 **RFAC Solutions** [www.rfacsolutions.com](http://www.rfacsolutions.com)

TITLE MMCX BULKHEAD JACK  
 .085"(RG-405, M17/133)

DRAWING NO R310-006-000

SHEET 1 OF 1