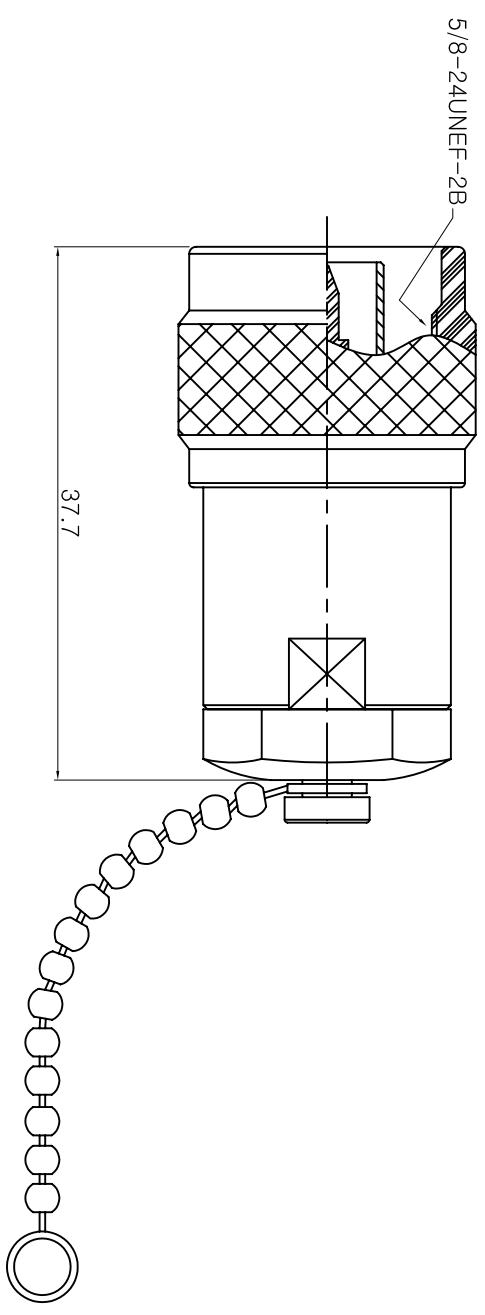



| REVISION | | | | |
|----------|---------------------|-----------|------------|------------|
| REV | DESCRIPTION | ENGINEER | APPROVED | DATE |
| 1.0 | CONVERSION REVISION | J. P. LEE | K. D. JANG | 2005.11.18 |
| | | | | |
| | | | | |
| | | | | |



SPECIFICATIONS

1. Electrical
 - Impedance : 50ohm
 - Frequency range : 6GHz
 - Insulation resistance : 5000Mohm Min.
 - Contact resistance : 2mohm Max.
 - VSWR : 1.1 Max.
 - Input power : 5W
2. Mechanical
 - Materials
 - * Body : Brass
 - * Center Contact : Brass
 - * Insulator : PTFE Teflon
 - Finish
 - * Body : Nickel plate
 - * Center Contact : Gold plate
3. Environmental
 - Temperature range : -65°C~+165°C

| Specified Tolerance | | Mat'l | | RFAC Solutions | | rfacsolutions.com | |
|---------------------|--------|---------|----|---|-----------|------------------------------------|--|
| .0 | ±0.1 | Finish | |  | Model | TYPE N | |
| .00 | ±0.05 | Design | | | Title | N MALE TERMINATION (chain type) | |
| ANG. | ±0°30' | Check | | Mod.No. | N-MA-TERM | | |
| Scale | Proj | Approve | | Part No. | T580-05C | | |
| N/A | mm | Size | A3 | J. P. LEE | I. K. HAN | K. D. JANG | |