

REVISION				
ISSUE	DESCRIPTION	ENGINEER	APPROVED	DATE
1.0	FIRST ISSUED			

## Specifications

### 1. Description

- SMA: Jack
- SMB: Plug

### 2. Electrical

- Impedance: 50ohm
- Frequency range : 3GHz
- VSWR : 1.15 Max.

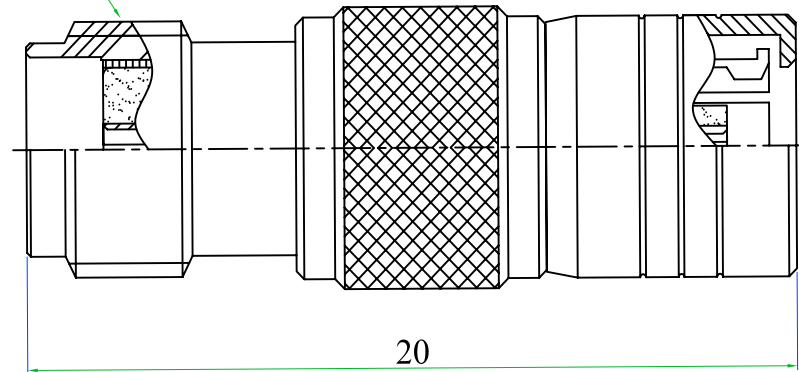
### 3. Mechanical



- Materials
  - \* Body : Brass
  - \* Center Contact : Brass
  - \* Insulator : PTFE Teflon
- Finish
  - \* Body : Gold plate
  - \* Center Contact : Gold plate

### 4. Environmental

- Temperature range : -65C ~ + 165C

1/4-36UNEF-2A



Specified Tolerance				Mat'l					
.0	±0.1			Finish					
.00	±0.05			Design	Check	Appro			
ANG.	±0°30'						Title	SMA JACK TO SMB PLUG	
Scale	Unit	Proj	Size				Mod.No.	SMA(F)-SMB(M)-A	
N/A	mm			J. P. LEE	I. K. HAN	K. D. JANG	Part No.	R410-104	