

Specifications

1. Description

- SMA: Plug
- SMB: Jack

2. Electrical

- Impedance: 50ohm
- Frequency range : 3GHz
- VSWR : 1.15 Max.

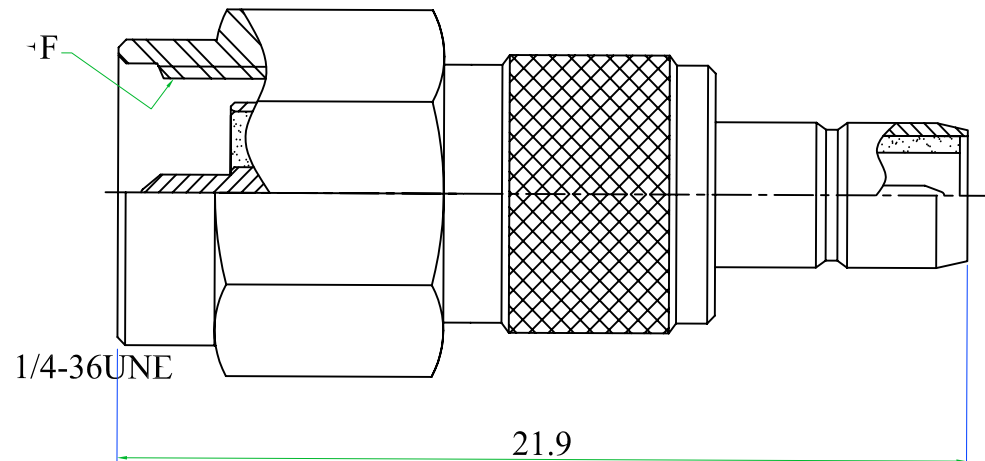
3. Mechanical


- Materials
 - * Body : Brass
 - * Center Contact : Brass
 - * Insulator : PTFE Teflon
- Finish
 - * Body : Gold plate
 - * Center Contact : Gold plate

4. Environmental

- Temperature range : -65C ~ + 165C

REVISION				
ISSUE	DESCRIPTION	ENGINEER	APPROVED	DATE
1.0	FIRST ISSUED			



Specified Tolerance				Mat'l				
.0	±0.1	Finish						
.00	±0.05	Design	Check	Appro	Model	ADAPTOR		
ANG.	±0°30'	Scale		Proj	Title	SMA PLUG TO SMB JACK		
N/A	mm	+	≠	Size	Mod.No.	SMA(M)-SMB(F)-A		
				J. P. LEE	I. K. HAN	K. D. JANG	Part No.	R410-103