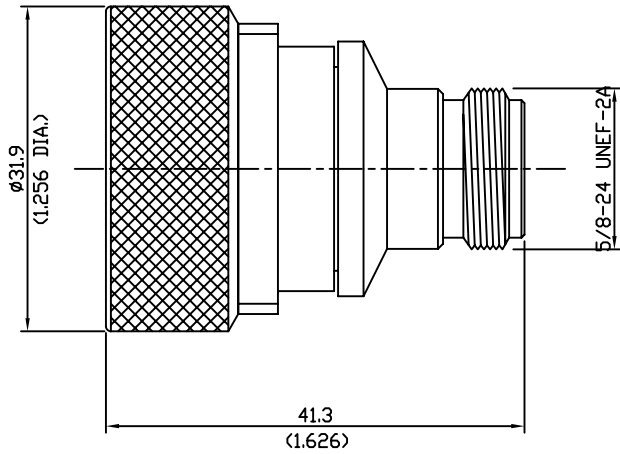


REVISIONS			
NO	DESCRIPTION	APPROVED	DATE



\* Description  
 N : JACK  
 7/16 DIN : PLUG

\* Material  
 N : Brass/SUCO  
 7/16 DIN : Brass/SUCO

TOL.UNLESS NOTED  
 X =  $\pm 0.1$   
 X.X =  $\pm 0.05$   
 X.XX =  $\pm 0.01$

DATE	
DRAWN BY	
DESIGNED BY	
CHECKED BY	
APPD.BY	
SCALE 1 : 1	UNIT mm



TITLE  
 N to 7/16DIN ADAPTOR

DRAWING NO  
 R410-028-000

SHEET 1 OF 1