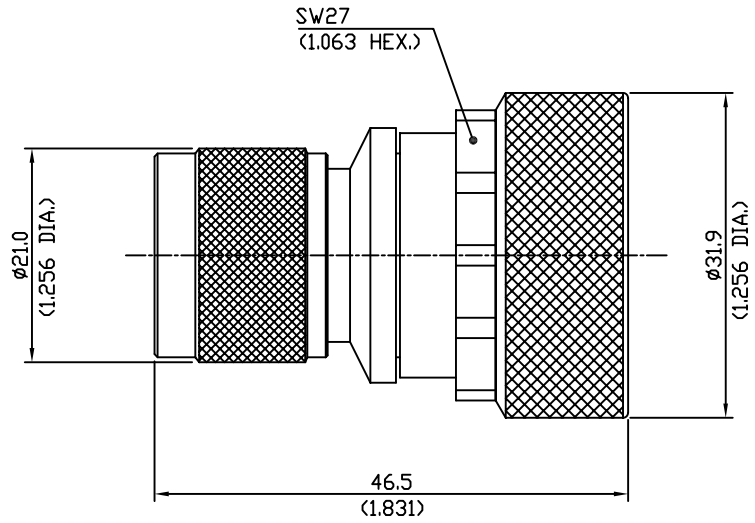



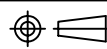
REVISIONS			
NO	DESCRIPTION	APPROVED	DATE



* Description
 N : PLUG
 7/16 DIN : PLUG

* Material
 N : Brass/SUCO
 7/16 DIN : Brass/SUCO

TOL.UNLESS NOTED
 X = ±0.1
 X.X = ±0.05
 X.XX = ±0.01

DATE		 RFAC Solutions rfacsolutions.com
DRAWN BY		
DESIGNED BY		TITLE
CHECKED BY		N to 7/16DIN ADAPTOR
APPD.BY		DRAWING NO
SCALE 1 : 1	UNIT mm	R410-025-000
		SHEET 1 OF 1