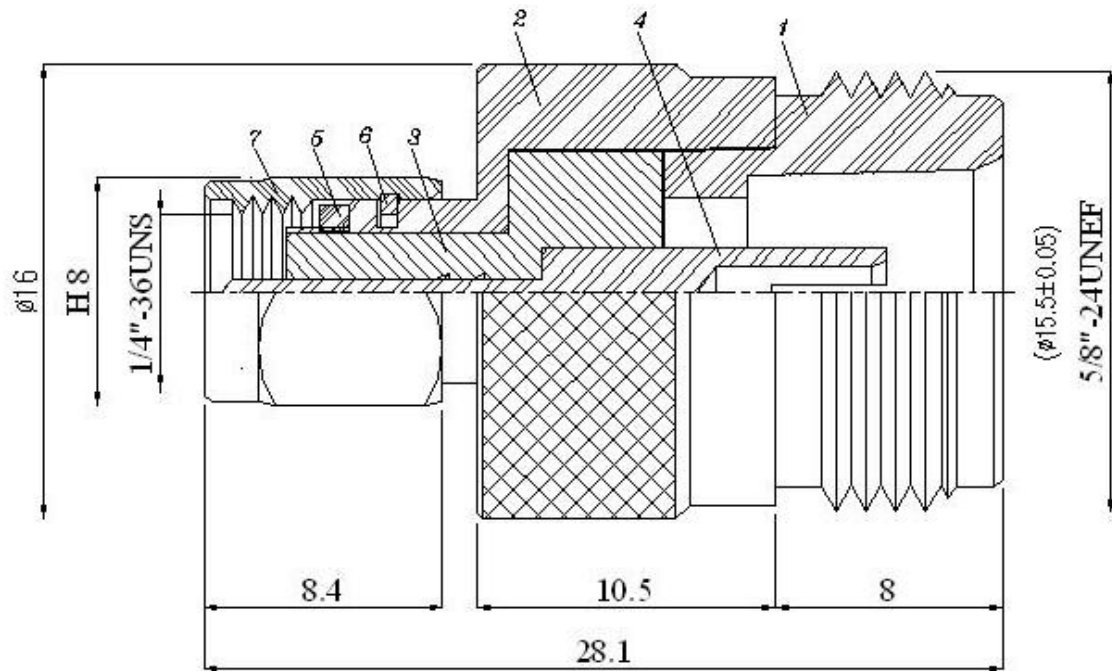


REVISIONS			
NO	DESCRIPTION	APPROVED	DATE




* Description
 SMA : PLUG
 N : JACK

* Material
 SMA : Brass/Nickel
 N : Brass/Nickel

TOL.UNLESS NOTED
 X = ±0.1
 X.X = ±0.05
 X.XX = ±0.01

DATE	
DRAWN BY	
DESIGNED BY	
CHECKED BY	
APPD.BY	
SCALE 1 : 1	UNIT mm

 **RFAC Solutions** rfacsolutions.com

TITLE
 SMA to N ADAPTOR

DRAWING NO
 R410-019-000

SHEET 1 OF 1