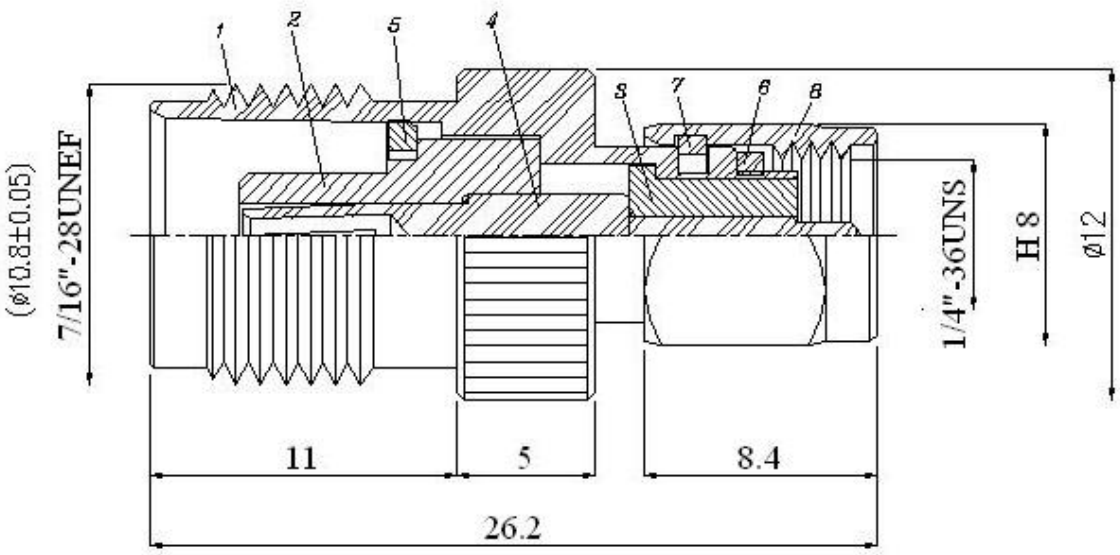



REVISIONS			
NO	DESCRIPTION	APPROVED	DATE



- * Description
SMA : PLUG
TNC : JACK
- * Material
SMA : Brass/Nickel
TNC : Brass/Nickel

TOL.UNLESS NOTED
 X = ±0.1
 X.X = ±0.05
 X.XX = ±0.01

DATE	
DRAWN BY	
DESIGNED BY	
CHECKED BY	
APPD.BY	
SCALE 1 : 1	UNIT mm

 **RFAC Solutions** rfacsolutions.com

TITLE
SMA to TNC ADAPTOR

DRAWING NO
R410-015-000

SHEET 1 OF 1