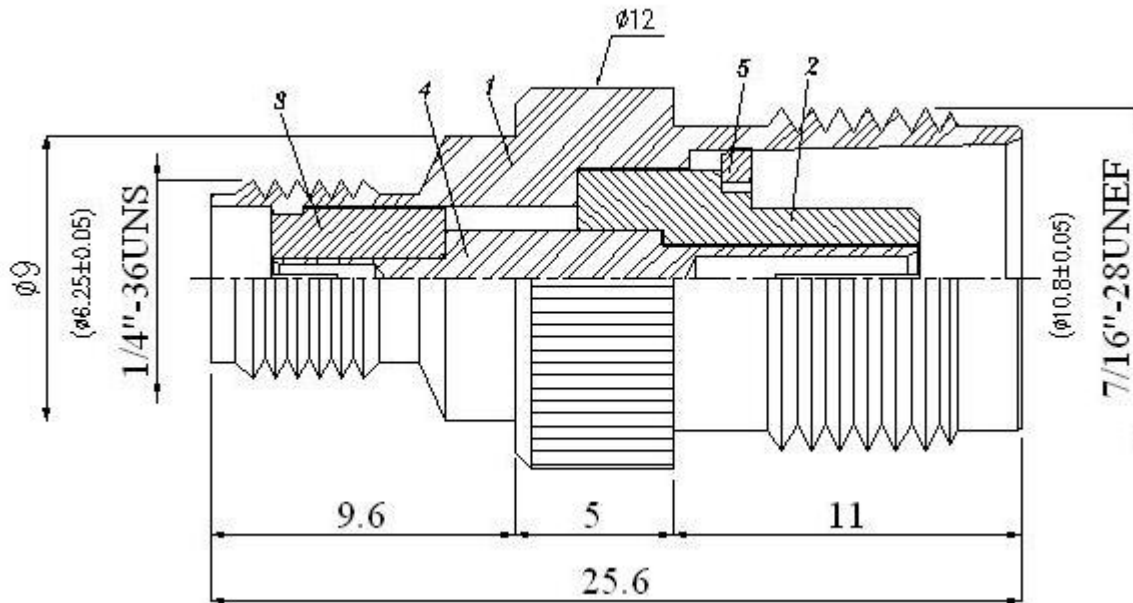



REVISIONS			
NO	DESCRIPTION	APPROVED	DATE



- * Description
SMA : JACK
TNC : JACK
- * Material
SMA : Brass/Nickel
TNC : Brass/Nickel

TOL.UNLESS NOTED
 X = ± 0.1
 X.X = ± 0.05
 X.XX = ± 0.01

DATE	
DRAWN BY	
DESIGNED BY	
CHECKED BY	
APPD.BY	
SCALE 1 : 1	UNIT mm

 RFAC Solutions rfacsolutions.com			
		TITLE SMA to TNC ADAPTOR	
DRAWING NO		R410-014-000	
SHEET		1 OF 1	