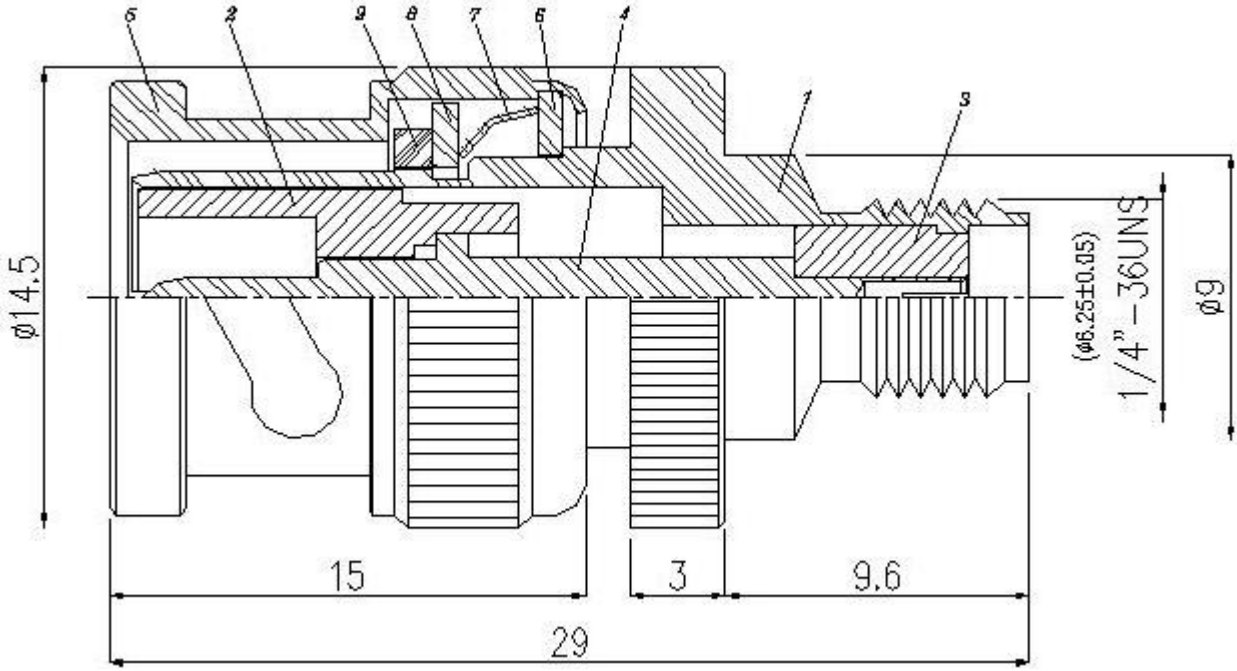


REVISIONS			
NO	DESCRIPTION	APPROVED	DATE



- * Description
SMA : JACK
BNC : PLUG
- * Material
SMA : Brass/Nickel
BNC : Brass/Nickel

TOL.UNLESS NOTED
 X = ±0.1
 X.X = ±0.05
 X.XX = ±0.01

DATE	
DRAWN BY	
DESIGNED BY	
CHECKED BY	
APPD.BY	
SCALE 1 : 1	UNIT mm



TITLE SMA to BNC ADAPTOR	
DRAWING NO	R410-012-000
SHEET 1 OF 1	