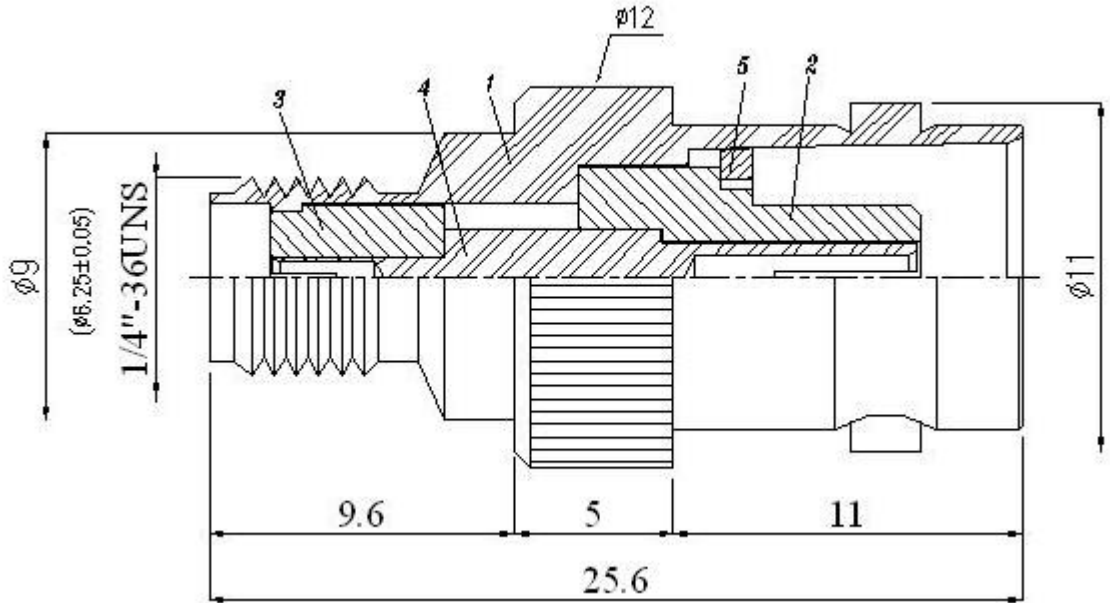



REVISIONS			
NO	DESCRIPTION	APPROVED	DATE



- * Description
SMA : JACK
BNC : JACK
- * Material
SMA : Brass/Nickel
BNC : Brass/Nickel

TOL.UNLESS NOTED
X = ± 0.1
X.X = ± 0.05
X.XX = ± 0.01

DATE	
DRAWN BY	
DESIGNED BY	
CHECKED BY	
APPD.BY	
SCALE 1 : 1	UNIT mm

 www.rfacsolutions.com

TITLE
SMA to BNC ADAPTOR

DRAWING NO
R410-010-000

SHEET 1 OF 1