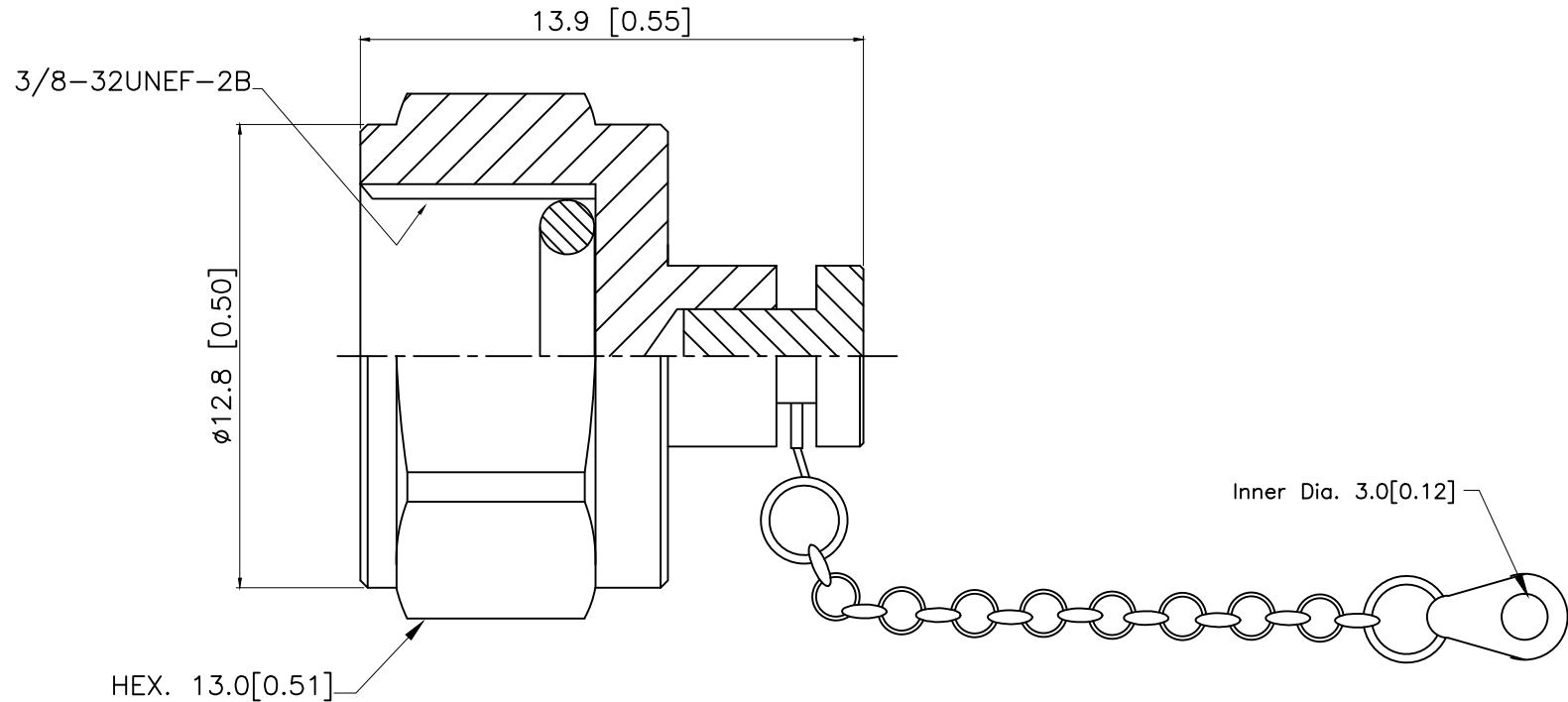
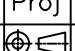


REVISION				
ISSUE	DESCRIPTION	ENGINEER	APPROVED	DATE
1.0	FIRST ISSUED	J. P. LEE	K. D. JANG	2007.10.24



SPECIFICATIONS

- Connector type : type F
- Chain length : 80mm[3.15"]
- Materials
 - * Body : Brass
 - * Other metal parts : Steel
 - * O-ring : Silicone Rubber
- Finish
 - * All metal parts : Black coated

Specified Tolerance				Mat'l				 www.rfacsolutions.com
.0	±0.1	Finish					Model	
.00	±0.05	Design		Check	Appro	Title		TYPE F MALE DUST CAP
ANG.	±0°30'					Mod.No.		
Scale	Unit	Proj	Size				Part No.	R390-1000B
N/A	mm		A4	J. P. LEE	I. K. HAN	K. D. JANG		