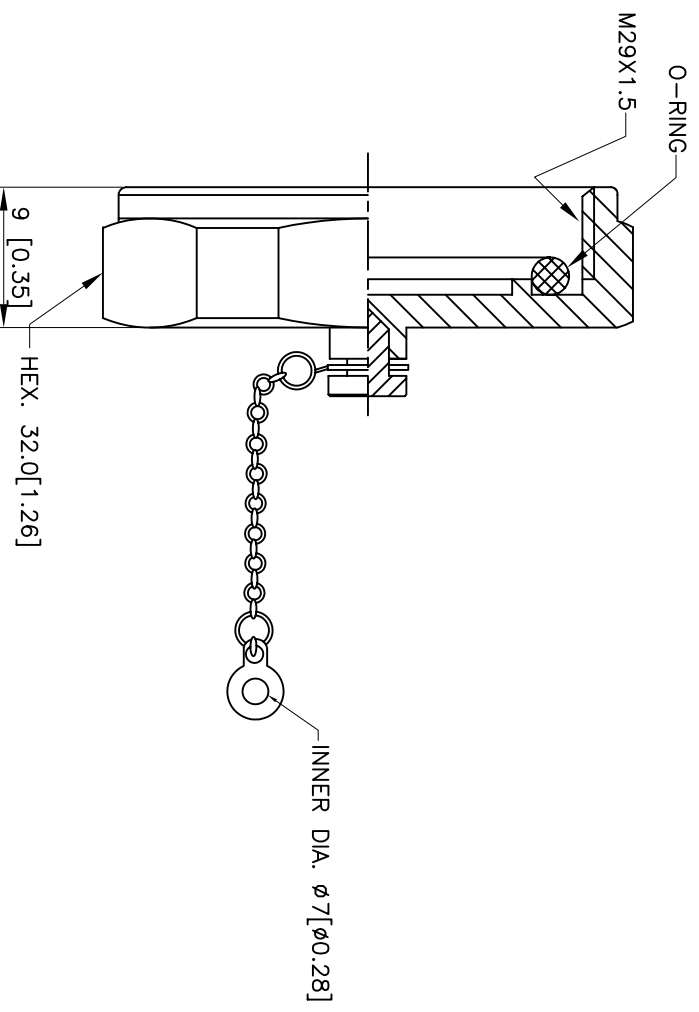



| | | REVISION | | |
|-------|--------------|-----------|------------|------------|
| ISSUE | DESCRIPTION | ENGINEER | APPROVED | DATE |
| 1.0 | FIRST ISSUED | J. P. LEE | K. D. JANG | 2007.10.24 |



SPECIFICATIONS

- Connector type : DIN 7/16 male
- Chain length : 100mm[3.94"]
- Materials
 - * Body : Brass
 - * Other metal parts : Steel
 - * O-ring : Silicone
- Finish
 - * All metal parts : Nickel plated

| | | | | | |
|---------------------|--------|------------------------|--|--|-----------|
| Specified Tolerance | | Mat'l | |  www.rfacsolutions.com | |
| .0 | ±0.1 | Finish | | | |
| .00 | ±0.05 | Design | | J. P. LEE | I. K. HAN |
| ANG. | ±0°30' | Check | | K. D. JANG | |
| Scale | Proj | Size | | | |
| N/A | mm | A4 | | | |
| Model | | Title | | Part No. | |
| DIN 7/16 | | DIN 7/16 MALE DUST CAP | | R390-050 | |