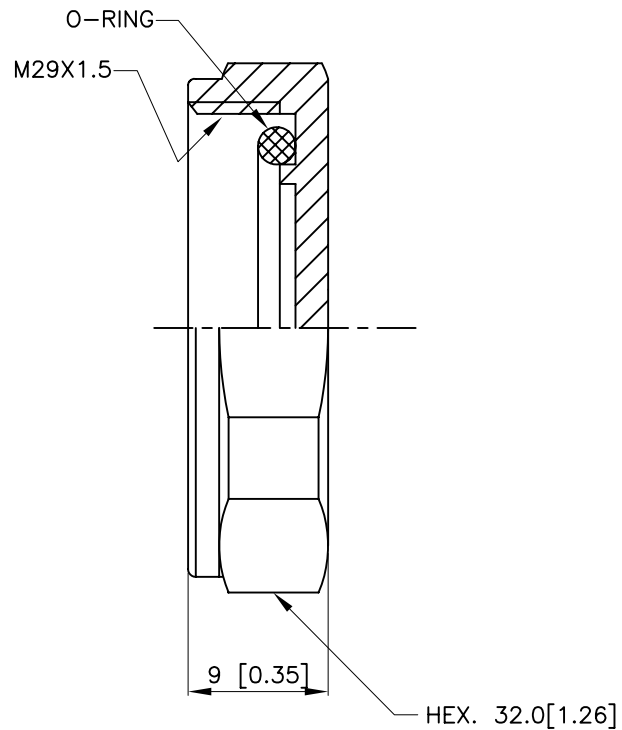


REVISION				
ISSUE	DESCRIPTION	ENGINEER	APPROVED	DATE
1.0	FIRST ISSUED	J. P. LEE	K. D. JANG	2007.10.24



SPECIFICATIONS

- Connector type : DIN 7/16 male
- Materials
 - * Body : Brass
 - * O-ring : Silicone
- Finish
 - * Body : Nickel plated

Specified Tolerance				Mat'l				 www.rfacsolutions.com
.0	±0.1			Finish				
.00	±0.05			Design	Check	Appro	Model	DIN 7/16
ANG.	±0°30'						Title	DIN 7/16 MALE DUST CAP
Scale	Unit	Proj	Size				Mod.No.	
N/A	mm		A4	J. P. LEE	I. K. HAN	K. D. JANG	Part No.	R390-050-C