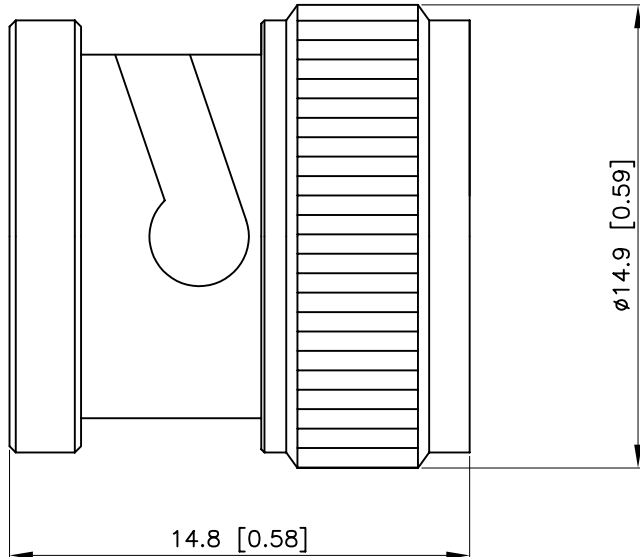


REVISION				
ISSUE	DESCRIPTION	ENGINEER	APPROVED	DATE
1.0	FIRST ISSUED	J. P. LEE	K. D. JANG	2007.10.24



SPECIFICATIONS

- Connector type : BNC male
- Materials
  - \* Body & Coupling nut : Brass
  - \* O-ring : Silicone
- Finish
  - \* All metal parts : Nickel plated

Specified Tolerance				Mat'l				 <a href="http://www.rfacsolutions.com">www.rfacsolutions.com</a>
.0	±0.1	Finish					Model	
.00	±0.05	Design		Check	Appro	Title		BNC MALE DUST CAP
ANG.	±0°30'	Scale		Unit	Proj	Size	Mod.No.	
N/A	mm		<b>A4</b>	J. P. LEE	I. K. HAN	K. D. JANG	Part No.	R360-044-C