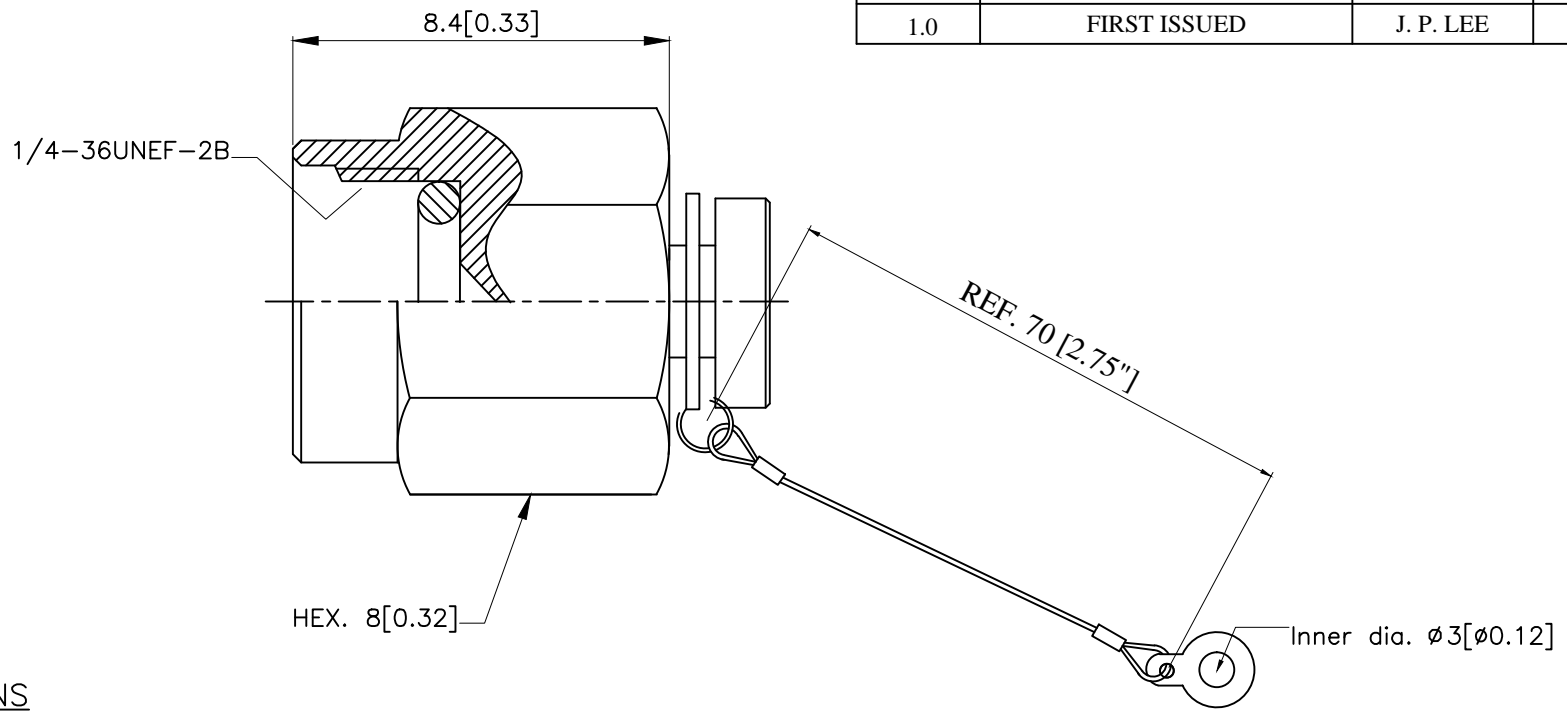



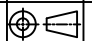
REVISION				
ISSUE	DESCRIPTION	ENGINEER	APPROVED	DATE
1.0	FIRST ISSUED	J. P. LEE	K. D. JANG	2007.10.24



SPECIFICATIONS

- Materials
  - \* Body : Brass per QQ-B-626
  - \* O-ring : EPDM per NAS 1613
- Wire rope
  - \* Materials : Stainless steel coated with Nylon
  - \* Structure : 49 stranded wire rope
  - \* Overall Diameter : 1mm
- Finish
  - \* All metal parts without wire rope : Black finish

\*\* BLACK FINISH  
 - After copper plating all materials, immerse the products in acid fluid in a few minute.

Specified Tolerance				Mat'l				 <a href="http://www.rfacsolutions.com">www.rfacsolutions.com</a>	
.0		±0.1		Finish					
.00		±0.05		Design	Check	Appro	Model		SMA
ANG.		±0°30'					Title		SMA MALE DUST CAP
Scale	Unit	Proj	Size				Mod.No.		
N/A	mm		A4	J. P. LEE	I. K. HAN	K. D. JANG	Part No.		R330-086-002L