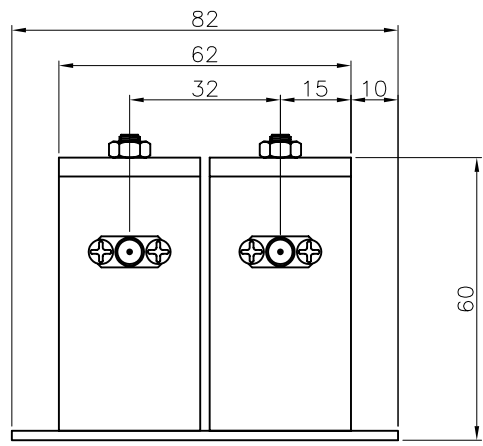
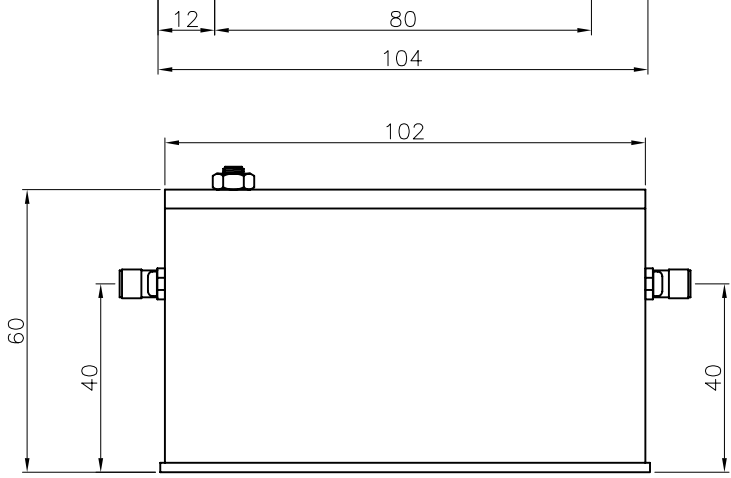
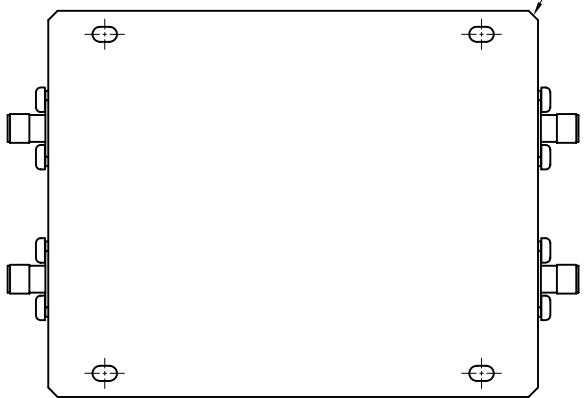


4-5.2XØ3.2



4-C1



P/N: FAIC123-001 (SILVER PLATED)

FREQUENCY RANGE : 911.5 MHz
 INSERTION LOSS : 0.5dB MAX
 IMPEDANCE : 50Ω



TEL:(310)328-5590
 FAX:(310)328-5512
 www.rfacSolutions.com