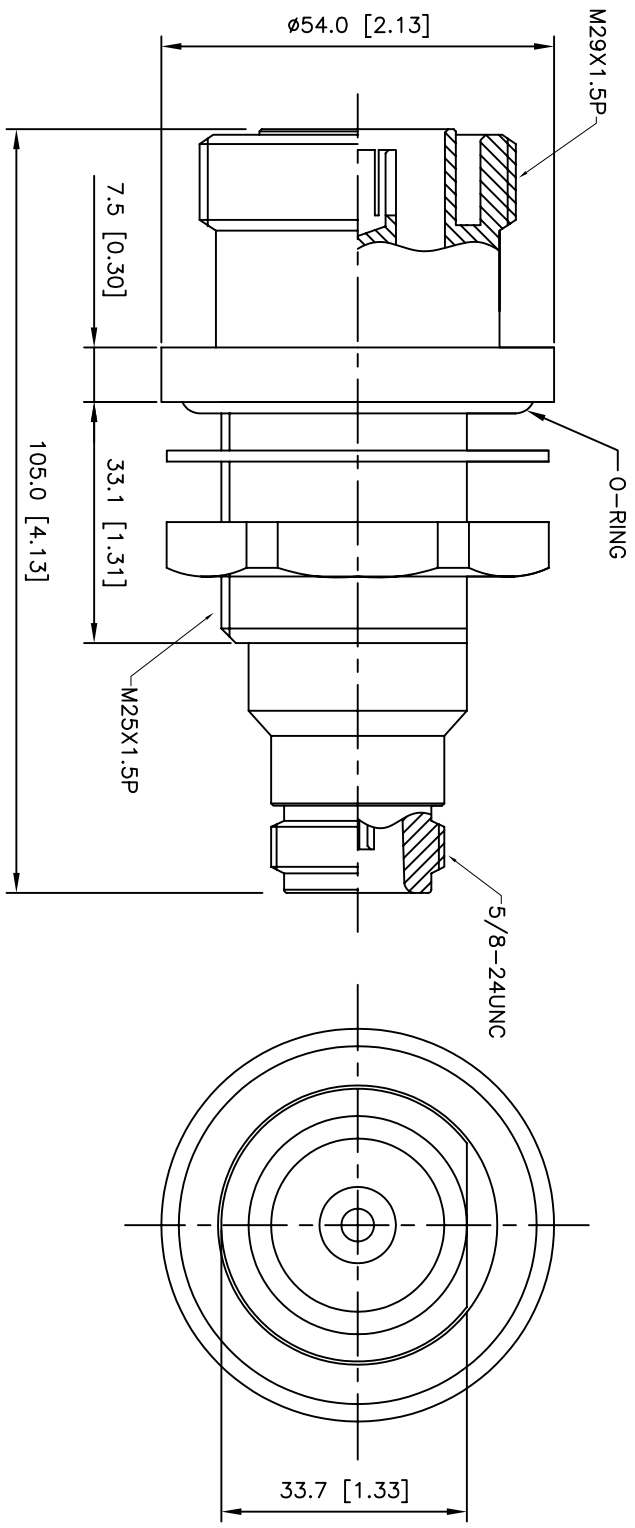



REV	DESCRIPTION	ENGINEER	APPROVED	DATE
1.0	CONVERSION REVISION	J. P. LEE	K. D. JANG	2005.11.18



SPECIFICATIONS

1. Electrical
 - Impedance : 50ohm
 - Frequency range : DC~3GHz
 - VSWR : 1.20 Max.
 - Insertion loss : 0.2dB Max.
 - DC spark-over voltage : 600V
 - Surge life : 10x6kV(1.2x50μs), 3kA(8/20μs)
 - RF Power rating : 300W
2. Mechanical
 - Materials
 - * Body : Brass
 - * Center Contact : Brass & Beryllium copper
 - * Insulator : PTFE Teflon
 - Finish
 - * Body : Nickel plate
 - * Center Contact : Gold plate
3. Environmental
 - Temperature range : -30°C~+90°C
 - RoHS complied

Specified Tolerance		Mat'l		 RFAC Solutions <small>www.rfacsolutions.com</small>	
.0	±0.1	Finish			
.00	±0.05	Design		Model	LIGHTNING PROTECTOR (Gas tube type)
ANG.	±0°30'	Check		Title	DIN 7/16 JACK TO N JACK ARRESTER
Scale	Proj	Size		Mod.No.	DIN 7/16-FE-N-FE-ARRESTER
N/A	mm	A3		Part No.	AR580-6

1	2	3	4	5	6	7	8
---	---	---	---	---	---	---	---