

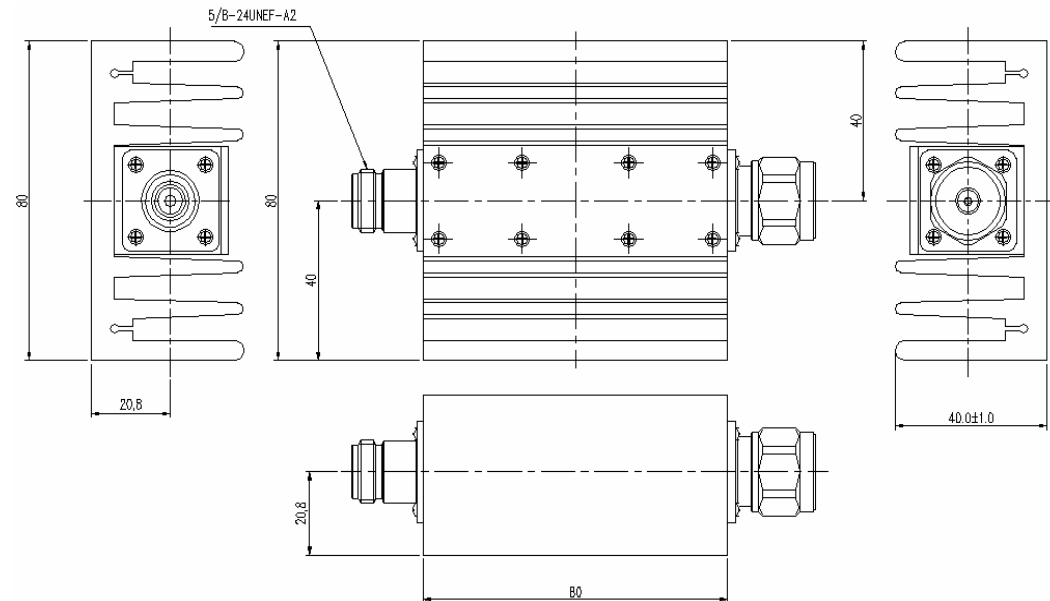
N POWER ATTENUATOR 30W

N Male to Female

SPECIFICATION

Frequency Range	DC ~ 3000 MHz
V.S.W.R	1.25 : 1 (max.)
Average Power	30 WATT
Temperature	-55°C ~ +125°C
Mating life	500 Min.
Panel mounting torque	10±2N.m
Materials and Finish	
Center Contact	: Beryllium/Gold plate
Body	: Brass/SUCO plate
Insulator	: PTFE Teflon
Gasket	: Silicon Rubber
BASE	: Aluminium

Part #	Attenuation	Frequency	Impedance	VSWR	Power
A730-10	-10 dB ± 1.0(max.)	DC ~ 3 GHz	50Ω ± 5	1.25 : 1 (max.)	30 Watt
A730-20	-20 dB ± 1.0(max.)	DC ~ 3 GHz	50Ω ± 5	1.25 : 1 (max.)	30 Watt
A730-30	-30 dB ± 1.0(max.)	DC ~ 3 GHz	50Ω ± 5	1.25 : 1 (max.)	30 Watt



[unit:mm]



www.rfacsolutions.com